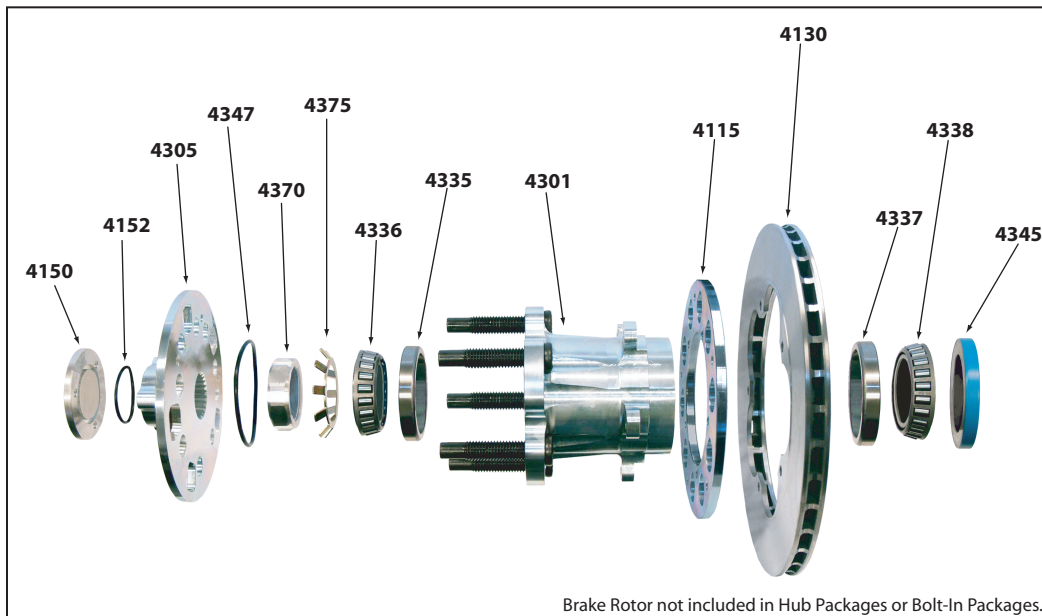
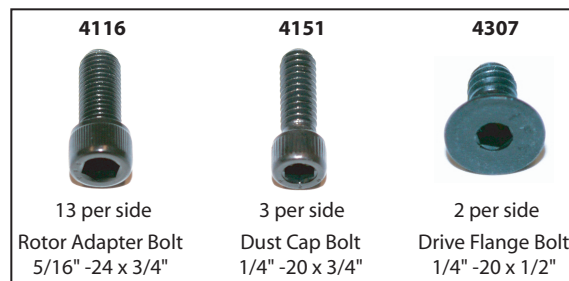


## Assembly Instructions for Moser 5BP Hub Kits



- |                                |                                  |
|--------------------------------|----------------------------------|
| <b>4150.</b> Dust Cap          | <b>4335.</b> Outer Hub Race      |
| <b>4152.</b> Dust Cap O-Ring   | <b>4301.</b> Hub                 |
| <b>4305.</b> Drive Flange      | <b>4115.</b> Steel Rotor Adapter |
| <b>4347.</b> Hub O-Ring        | <b>4130.</b> Rotor               |
| <b>4370.</b> Snout Nut         | <b>4337.</b> Inner Hub Race      |
| <b>4375.</b> Lock Washer       | <b>4338.</b> Inner Hub Bearing   |
| <b>4336.</b> Outer Hub Bearing | <b>4345.</b> Hub Seal            |



These are general assembly instructions. Actual part numbers may vary for the package that you have purchased.

Picture represents the parts included with Hub Package part # 4355P13C.

Brake rotors are sold separately.

1. Before you begin the installation, clean the drive plate and the inside of the hub.
2. Install inner hub bearing (4338) into hub (4301). Bearing races (4337 & 4335) are already installed in respective sides of hub.
3. Install hub seal (4345).
4. Install rotor adapter (4115) onto hub using provided bolts (4116).
5. Install rotor (4130) onto rotor adapter using provided bolts (4116). The side that the tabs are on faces outward.
6. Place hub with rotor installed onto snout.
7. Install outer hub bearing (4336).
8. Install lock washer (4375).
9. Install snout nut (4370) and tighten fully, then loosen the nut a quarter turn.
10. Place hub o-ring (4347) onto hub.
11. Install drive flange (4305) onto hub using the two provided bolts (4307).
12. Place dust cap o-ring (4152) onto dust cap.
13. Install dust cap (4150) onto assembly using the three provided bolts (4151).