



Moser Engineering Dynamic Mount Performance Drag Brake Kit



Instructions For The Following Kits: 6200-12503—Big Ford Old Style 2.50”

**** Be sure to retain all packaging until after installation is complete****

****No parts may be returned if they are not in original packaging
or have been modified or damaged****

IMPORTANT:

Moser Engineering Performance Drag Disc Brakes are not for street use. It is the responsibility of the person installing any brake component or kit to determine the suitability of the component or kit for that particular application. If you are not sure how to safely use this brake component or kit, you should not install or use it. Improperly installed or maintained brakes are dangerous. If you are not sure, get help or return the product. You may obtain additional information and technical support by calling Moser Engineering at (260) 726-6689, or visit our web site at www.moserengineering.com. Use of Moser Engineering technical support does not guarantee proper installation. You and/or the person who does the installation must know how to properly use this product. It is not possible over the phone to understand or foresee all the issues that might arise in your installation. Racing equipment and brakes must be maintained and should be checked regularly for fatigue, damage, and wear.



Moser Engineering Dynamic Mount Performance Drag Brake Kit

Qty.	Description	Part #
2 ea.	Moser Dynamic Drilled Drag Rotor - 	6200-0001
2 ea.	Rotor Spiral Snap Ring - 	6200-0002
1 set	HAWK Racing Pads- 	6200-0004 or (6200-0005-Optional aggressive pad)
2 ea.	Moser BRP Dynamic Hat - 	6200-A23199
2 ea.	Moser Performance Caliper— 	6200-Z-120-13348
1 bag	Moser Disc Brake Hardware Kit— 8— shims .025 4— bolts —3/8x24x 1.25 4— lock washers— 3/8 	6200-21308
1 ea.	Moser Caliper Bracket-LH - 	6200-A24548
1 ea	Moser Caliper Bracket-RH - 	6200-A24549

Moser Engineering Dynamic Mount Performance Drag Brake Kit

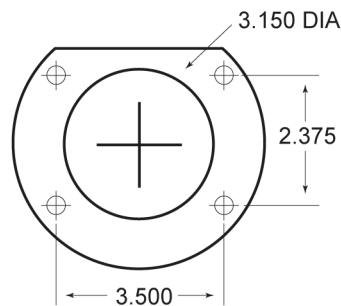
Assembly Instructions

1. **Make sure that all parts are present and accounted for by going thru the parts list and comparing your parts that you have received.**
2. By using the housing end chart in our catalog or on our web site you will be able to determine if the kit you have purchased will work for your application. Some manufacturers may use a different housing end when building custom housings, determining this will save time and money! Some tips when checking for proper application are;

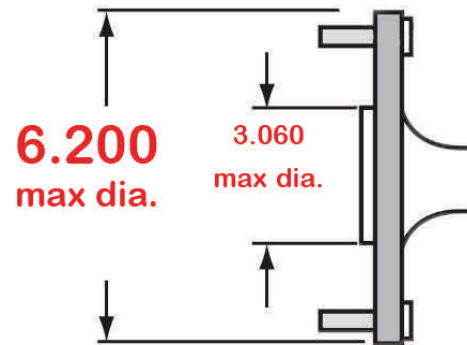
*Check axle bearing O.D.

*Check axle hangout. This is the dimension the face of the axle sticks out from the face of the housing end.

*Flange diameter needs to be 6.2" or smaller. The flange diameter may be turned down to fit inside the brake hat.



Big Ford



Assembly Instructions

1. Start by attaching the rotor to the hat. The rotor has a relief machined on the inboard side of the rotor. With the outside of the hat facing down, place the rotor on the hat with the relief facing up. Install the supplied spiral snap ring into the groove on the hat. Verify the snap ring is properly seated.
2. Install the caliper mounting bracket. The machined recess in the bracket goes toward the bearing. Use the OEM hardware to install the brackets. Torque to OEM specs.
3. Install the rotor/hat assembly on the axle flange. Make sure the hat is properly seated on the flange. Some sort of temporary hat/rotor retention may be required to hold the assembly in the proper location to install the caliper. (Use 2 lug nuts or hex nuts with the proper thread pitch to hold the hat tight to the axle flange.)
4. Install the caliper using the supplied hardware. Slide the caliper over the rotor making sure the parting line in the center of the rotor opening must be centered on the rotor to ensure proper operation of the caliper. Use the supplied .025 shims to adjust the caliper if needed. Thread locker must be used on the caliper bolts for proper retention. The caliper bolts need to be torque to 30 ft-lb's.
5. **CAREFULLY INSALL THE BRAKE LINE FITTINGS!** Over tightening can cause damage to the caliper. The threads in the caliper are 1/8"x27 NPT. Use a good quality thread sealant on the brake line adapter to insure there is no leakage. Use a quality DOT 4 high temp brake fluid. Silicone DOT 5 fluid is not recommended.
6. **Pad bedding procedure**
To insure proper operation of your new brake kit you must properly bed in the pads & rotors. Check for proper pedal feel at slow speeds to assure proper operation. On the track, make a series of hard stops until some brake fade is felt. Allow the brakes to cool between cycles. It will take approximately 3 runs to properly burnish the pads.



Moser Engineering Dynamic Mount Performance Drag Brake Kit

**WARNING • DO NOT DRIVE ON UNTESTED BRAKES
BRAKES MUST BE TESTED AFTER INSTALLATION OR MAINTENANCE.
FOLLOW THESE MINIMUM TEST PROCEDURES.**

- Make sure pedal is firm: Hold firm pressure on pedal for several minutes, it should remain in position without sinking. If pedal sinks toward floor, check system for fluid leaks. DO NOT drive vehicle if pedal does not stay firm if pushed to the floor with normal pressure.
- At very low speed (2-5 mph) apply brakes hard several times while turning steering from full left to full right several times. Remove the wheels and check that components are not touching, rubbing, or leaking.
- Carefully examine all brake components, brake lines, and fittings for leaks and interference.
- Make sure there is no interference with wheels or suspension components.
- Drive vehicle at low speed (15-20 mph) making moderate and hard stops.
- Brakes should feel normal and again check for leaks and interference.
- Always test vehicle in a safe place where there is no danger to (or from) other people or vehicles.
- Always wear seat belts and make use of all safety equipment.

WARNING-PRIOR TO DISASSEMBLY OR ATTEMPTED INSTALLATION OF ANY BRAKE KIT, PLEASE REVIEW THE FOLLOWING:

- It is the responsibility of the purchaser and installer, to accurately measure and determine adequate wheel clearance for the brake components or kit selected.
- Flex lines are not included with kits that include Moser Engineering calipers. The OEM hoses must be replaced with hoses that accommodate the 1/8" NPT fluid inlet found on all Moser Engineering calipers. Stainless steel braided Teflon hose is recommended.
- Due to variances in OEM production tolerances and other variations between chassis, models and years, it is the responsibility of the purchaser and installer to determine suitability and correctness of fit for all fasteners and associated components supplied in any kit. Careful attention must be given to bolt size, thread pitch, bolt length and depth of engagement on every installation. Otherwise, component failure can occur.

WARNINGS/DISCLAIMER OF WARRANTY

Purchasers recognize and understand that racing parts and equipment, such as disc brakes and all parts, inventory and services manufactured and/or sold by Moser Engineering, Inc. are exposed to many and varied conditions due to the manner in which they are installed and used. Moser Engineering, Inc. makes no warranty either expressed or implied, as to the quality or suitability of this product for any use, and Buyer assumes all risk and liability resulting from the use of the goods. Seller neither assumes nor authorizes any person to assume for Seller any other liability in connection with the sale or use of the goods sold, and there are no oral agreements or warranties collateral to or affecting the agreement. Included in said disclaimer are agreements or warranties collateral to or affecting the agreement. Included in said disclaimer is any service or remanufacturing performed by Moser Engineering, Inc. on any product.

It is expressly understood and agreed between purchasers and Moser Engineering that in consideration of doing business with each other, all purchasers take, select and purchase said racing parts, equipment, any and all inventory, or services from Moser Engineering "as is" and "with all faults" and Moser Engineering shall always provide purchasers with a full and complete opportunity to examine, at purchasers' leisure and convenience, any racing parts and equipment, any and all inventory, or services when purchasing or contemplating purchasing from Moser Engineering.

If, and in the event that purchasers expressly or impliedly cause representations, or statements or affirmations of fact contrary to this disclaimer of all warranties, expressed or implied, then purchasers agree to indemnify and hold harmless Moser Engineering in the event of any claim, demand, or legal action against Moser Engineering by any purchaser.

Purchasers understand and agree that no officer, director, employee, or salesman of Moser Engineering has any authority to make any statement contrary to the terms of this agreement. On the contrary, Moser Engineering disavows any statement contrary to what is herein above written.